



NIPPON KAIJI KYOKAI

Certificate

Certificate No.
TA26493E(R)

OF

APPROVAL

Item	: A-0 / 30 / 60 class pipe penetration (Deck)
Product name	: Penetration type 870
Specifications	: See the drawings in Annex.
Applicant	: BLÜCHER Metal A/S Pugdalvej 1, DK-7480 Vildbjerg, Denmark
Manufacturer	: The same as the Applicant.
Testing standard	: 2010 FTP Code Annex 1 / Part 3
Test reports	: See Annex.
Limitations	: See Annex

THIS IS TO CERTIFY that the above type of products has been approved by Nippon Kaiji Kyokai with type approval No. 21FPA13DA, and that the products of the above type will be accepted for use onboard ships classed with the Society as complying with the relevant requirements of the Society's *Rules for the Survey and Construction of Steel Ships* and those of the *International Convention for the Safety of Life at Sea, 1974*, as amended, conditional upon the manufacturer having a quality control system audited by a competent authority to ensure continuous compliance with the type approval conditions.

This certificate is valid from 16 February 2026 until 15 February 2031.

Issued at Tokyo on 17 April 2026.

NIPPON KAIJI KYOKAI


M. Irisawa

General Manager

Material and Equipment Department



1. Test reports

Test laboratory (Test place)	Report number	Date of issue
Danish Institute of Fire and Security Technology (Jernholmen 12, DK-2650 Hvidovre, Copenhagen, Denmark)	PGA11317A	12 March 2019
	PGA11316A	8 July 2020
	PGA11554A	15 Nov. 2019
	PGA11555A	19 Nov. 2019

2. Limitations

1. In case that A-60 class penetration is used as A-15/A-30 class penetration, such penetration is to be applied to the specification for A-60 class penetration described in the attached drawings.
2. In case that A-60 class penetration is used as A-0 class penetration, any insulation fitted (on the penetration itself and 200mm around) to be fitted also for A-0 class penetration.

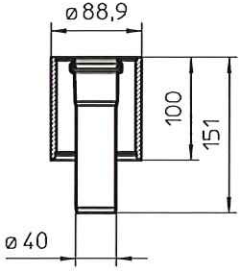

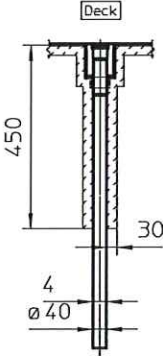
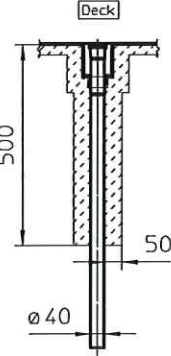
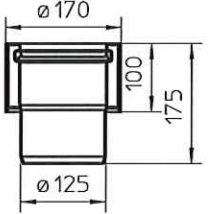
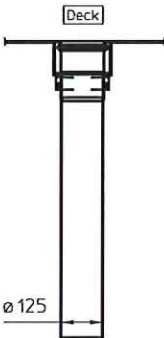
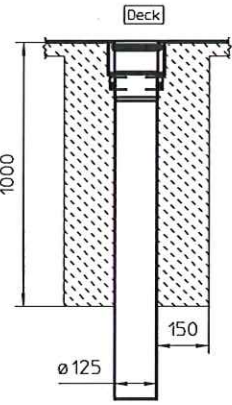
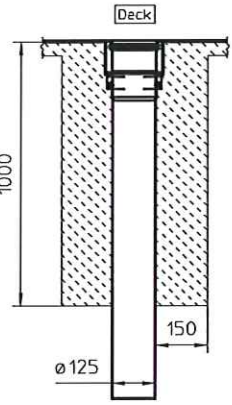
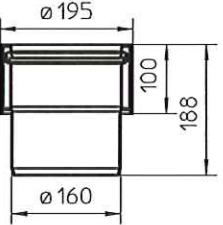
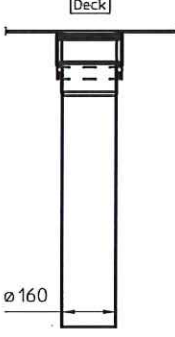
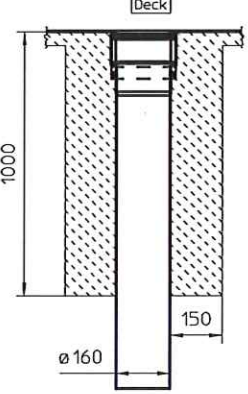
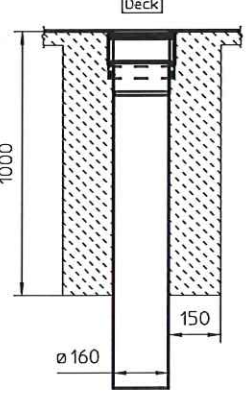
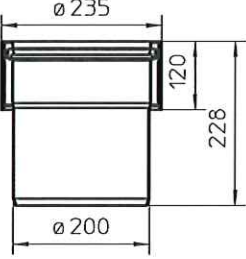
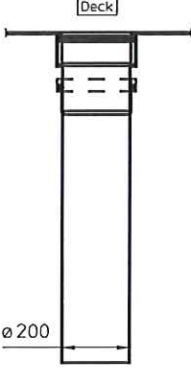
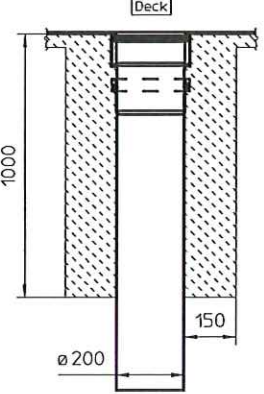
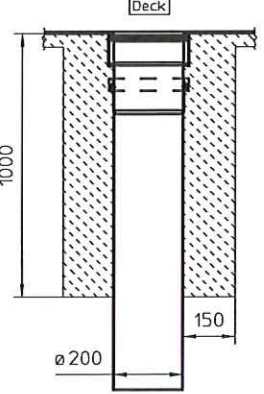
Annex to the Certificate No. TA26493E(R)



Dimension	Penetration	A-0 Insulation	A-30 Insulation	A-60 Insulation
<p>Ø50 870.000.050</p>				
<p>Ø75 870.000.075</p>				
<p>Ø110 870.000.110</p>				

SI

Less insulation	New dim	A		B		C		D		E		F		G		H		I	
060406	JO	191118	JO																
Ikke angivne tolerancer ifølge : Not stated tolerances according to : DS/ISO 2768-c																			
Materiale/Material										Målestok/Scale		Tegnet/Drawn		Kontrolleret/Checked		Erstillet af/ Replaced by		Areal/Area	
Werkst. Nr. 1.4301												051108 JO				1234		0.00000 m ²	
Titel/Designation																			
Insulation dimensions on Blücher penetrations type 870														Tegning Nr./Drawing No.		Rev.			
														S-0377-302		B			

Dimension	Penetration	A-0 Insulation	A-30 Insulation	A-60 Insulation
<p>Ø 40 870.000.040</p>				
<p>Ø 125 870.000.125</p>				
<p>Ø 160 870.000.160</p>				
<p>Ø 200 870.000.200</p>				



SI

New sizes	Less insulation	A		B	C	D	E	F	G	H	I
191118 JO	220317 JO										
Ikke angivne tolerancer ifølge : Not stated tolerances according to :		DS/ISO 2768-c						Overflade/Surface		Areal/Area 0.00000 m ²	
Materiale/Material		Målestok/Scale		Tegnet/Drawn		Kontrolleret/Checked		Erstillet af/ Erstating for/ Replaced by/ Replacement for		1234 Rev. A	
Werkst. Nr. 1.4301				110308 JO				1234 Rev. A			
Titel/Designation		Insulation dimensions on Blücher penetrations type 870		Tegning Nr./Drawing No.		S-0377-331		Rev. B			



Annex to the Certificate No. TA26493E(R)

Dimension	Penetration	A-0 Insulation	A-30 Insulation	A-60 Insulation
<p>Ø 82 870.000.082</p>				

SI

A	B	C	D	E	F	G	H	I
Ikke angivne tolerancer ifølge : Not stated tolerances according to : DS/ISO 2768-c						Overflade/Surface		Areal/Area 0.00000 m ²
Materiale/Material Werkst. Nr. 1.4301			Målestok/Scale 220317 JO	Tegnet/Drawn BLÜCHER	Kontrolleret/Checked	Erstillet af/ Replaced by 1234		Rev. A
Titel/Designation Insulation dimensions on Blücher penetrations type 870						Erstating for/ Replacement for 1234		Rev. A
Tegning Nr./Drawing No. S-0377-365							Rev.	